

SERVICE MANUAL

**106/1000S
PREAMPLIFIER**

**106/1000S
PREAMPLIFIER**

NAD

84

CONTENTS

DESCRIPTION	PAGE
SPECIFICATIONS.....	3
REAR PANEL /FRONT PANEL VIEW.....	4
BLOCK DIAGRAM.....	5
WIRING DIAGRAM.....	6
DISASSEMBLY INSTRUCTIONS.....	7
TROUBLE SHOOTING GUIDE.....	8
SCHEMATIC DIAGRAM.....	9-10
PCB LAYOUT (PARTS SIDE).....	11-12
EXPLODED VIEW.....	13
EXPLODED VIEW PARTS LIST.....	14
PARTS LIST.....	15-17
PACKING DIAGRAM.....	18
NOTES.....	19

SPECIFICATIONS

Measured in accordance with EIA Standard RS-490 (IHF T-202).

PHONO INPUT

Input impedance (R and C)	MM and MC:.....	47K ohm + 200pF
Input sensitivity ref. 0.5V 1KHz	MM:.....	1.5mV
ref. 0.5V,	MC:.....	0.1mV
Input overload	MM:.....	20mV/200mV/1700mV
at 20Hz/1KHz/20KHz	MC:.....	1.3mV/13mV/110mV
Signal/Noise ratio	MM:.....	76dB ref. 5mV
(A-weighted with cartridge connected)	MC:.....	76dB ref. 0.5mV
THD (20Hz-20KHz) and IM dist.....		<0.02%
RIAA accuracy	MM:.....	+/-0.2dB 20Hz-20KHz
	MC:.....	+/-0.2dB 50Hz-20KHz
	-0.5dB at 20Hz

LINE LEVEL INPUTS (CD, Video, Tuner, Tape1, Tape2)

Input impedance (R and C).....	20K ohm + 450pF
Input sensitivity ref. 0.5V.....	80mV
Maximum input signal.....	>10V
Signal/Noise ratio, A-weighted.....	98dB ref. 0.5V
Frequency response (20Hz-20KHz in tone defeat mode).....	+/-0.2dB
THD.....	0.01%

LINE LEVEL OUTPUTS

Output impedance	Pre-amp.....	220 ohms
	XLR.....	220 ohms
	Tape.....	Source Z + 2K ohms
	Phones.....	120 ohms
Maximum output level	Pre-amp.....	>12V
	XLR.....	>12V
	Tape.....	>10V
	Phones.....	>8V into 600 ohms
	>250mV into 8 ohms

CONTROLS

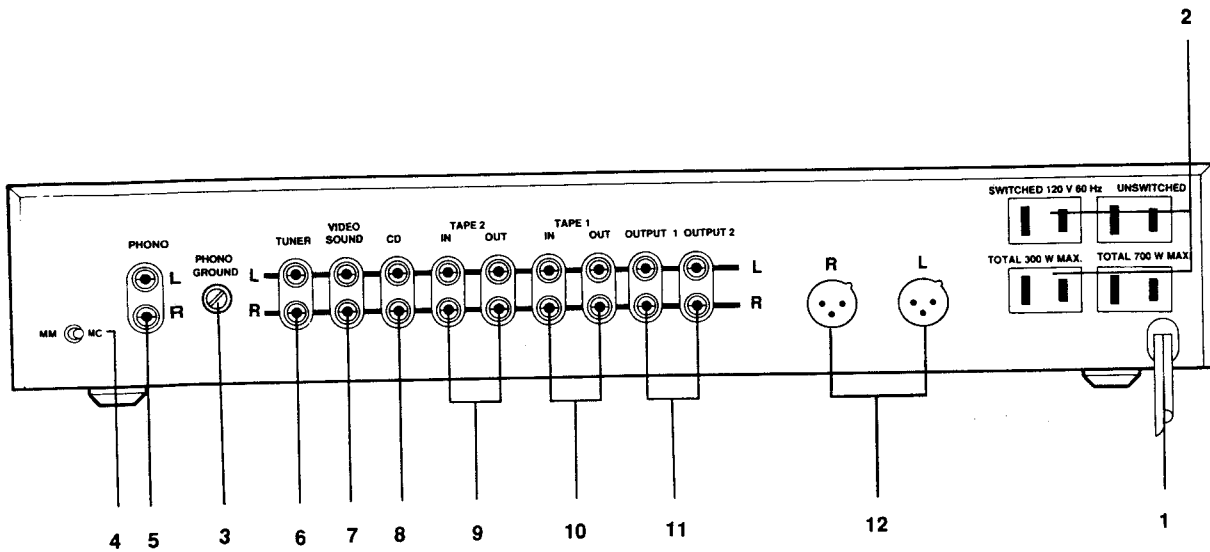
Treble.....	+/-7dB at 10KHz
Bass.....	+/-10dB at 50Hz

PHYSICAL SPECIFICATIONS

Dimensions (W x D x H).....	435 x 263 x 81mm
Net Weight.....	3.7Kg (8 lb 1 oz.)
Shipping Weight.....	4.4Kg (9 lb 11 oz.)
Power Consumption.....	17W at 120, 220, or 240 VAC 50/60Hz

REAR PANEL /FRONT PANEL VIEW

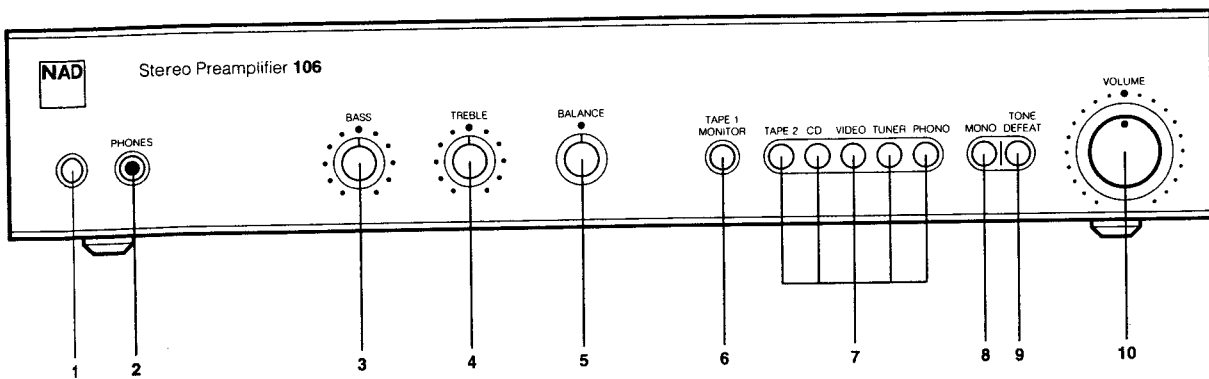
REAR PANEL



- 1. AC LINE CORD
- 2. AC CONVENIENCE OUTLETS
(120V model only)
- 3. PHONO GROUND
- 4. MM/MC SELECTOR
- 5. PHONO INPUT
- 6. TUNER INPUT

- 7. VIDEO SOUND INPUT
- 8. CD INPUT
- 9. TAPE 2 INPUT/OUTPUT
- 10. TAPE 1 INPUT/OUTPUT
- 11. PREAMP OUTPUTS
- 12. XLR OUTPUTS

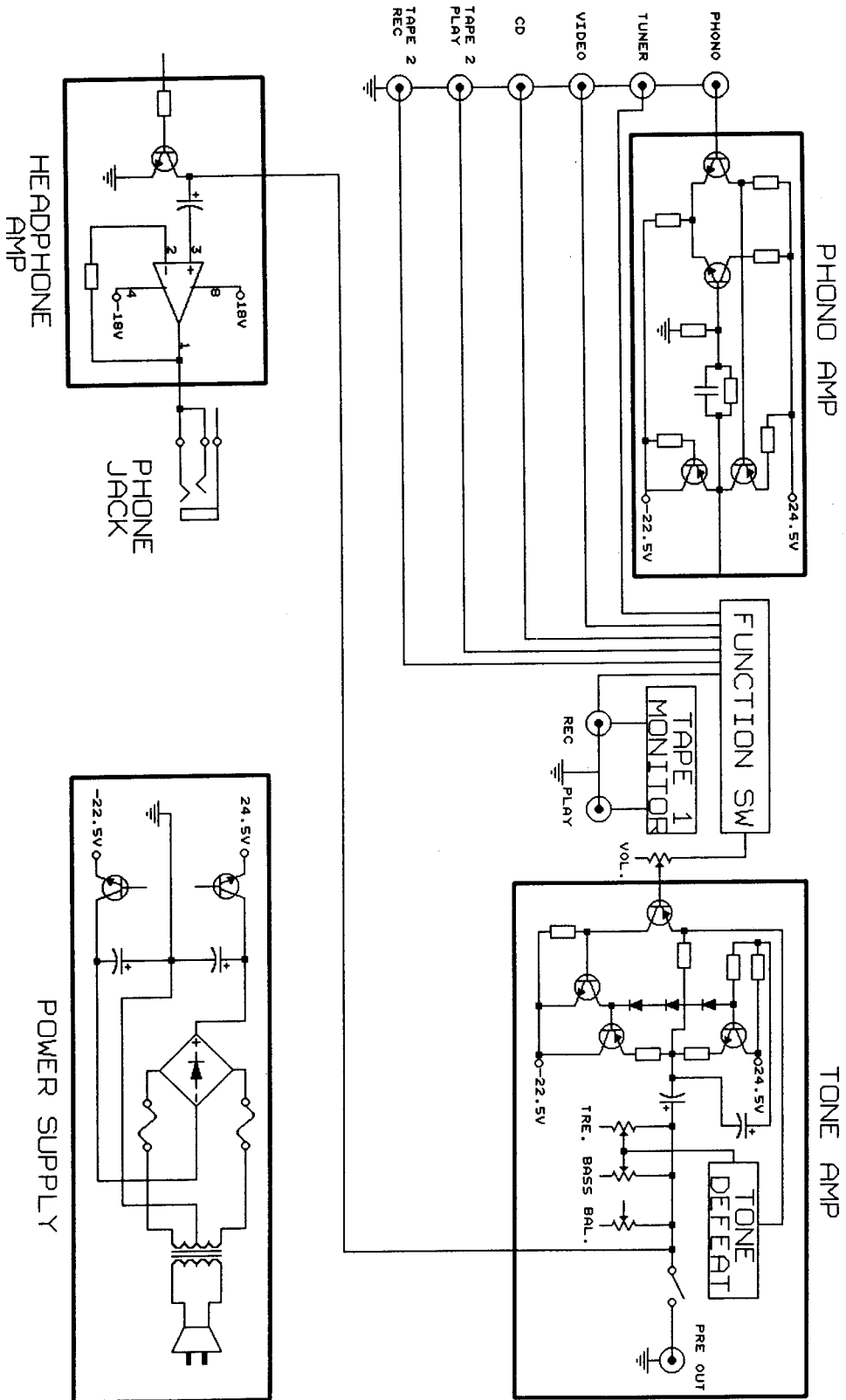
FRONT PANEL



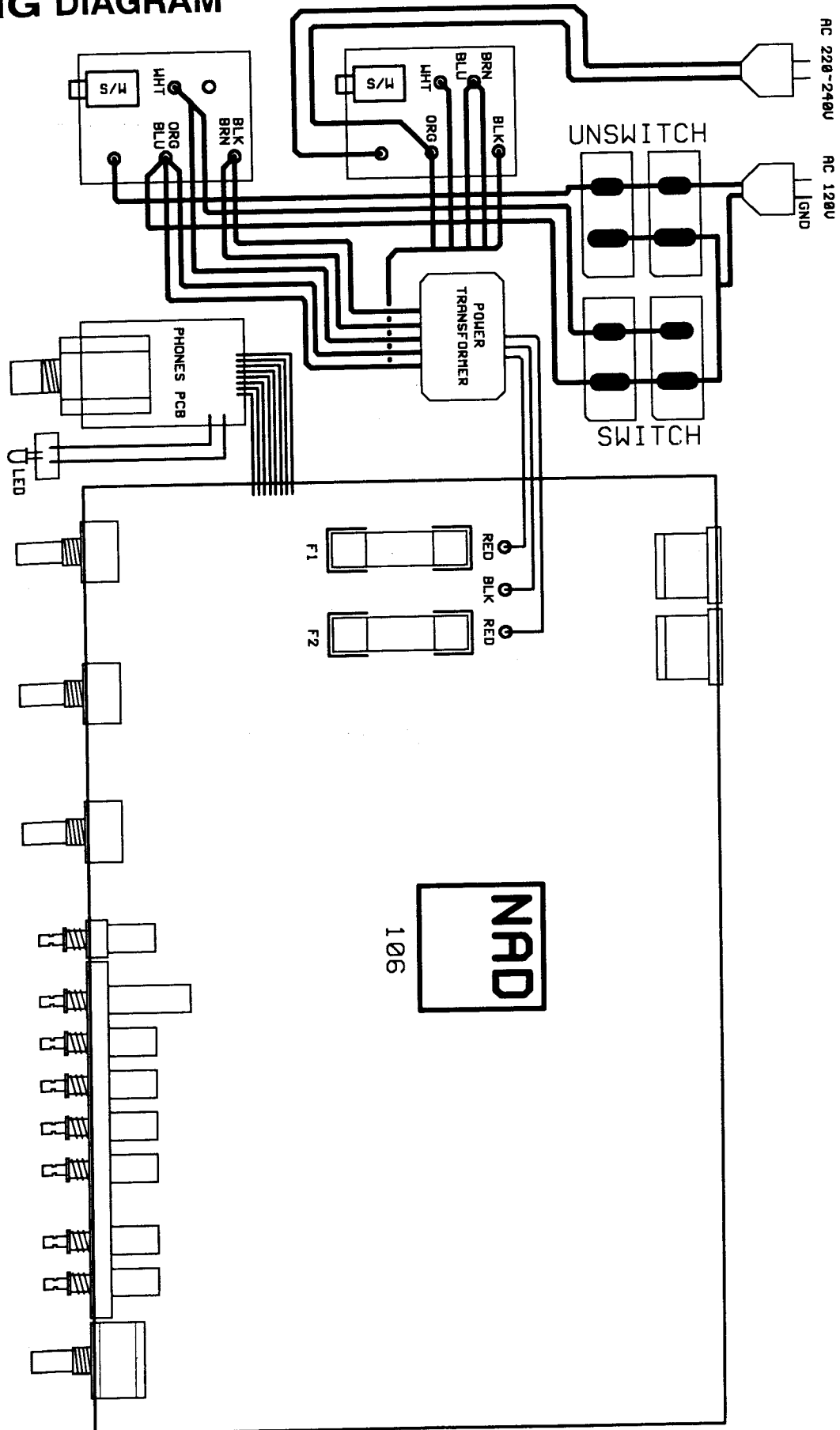
- 1. POWER
- 2. PHONES
- 3. BASS
- 4. TREBLE
- 5. BALANCE
- 6. TAPE 1 MONITOR

- 7. INPUT SELECTOR (TAPE 2, CD, VIDEO
SOUND, TUNER, PHONO.)
- 8. MONO
- 9. TONE DEFEAT
- 10. VOLUME

BLOCK DIAGRAM



WIRING DIAGRAM



DISASSEMBLY INSTRUCTIONS

TOP COVER REMOVAL

1. Remove parts in order of disassembly as numbered.
 - a. ① - ④ Machine screws M 4.0x6.0 (See Fig. 1.) from the side panels.

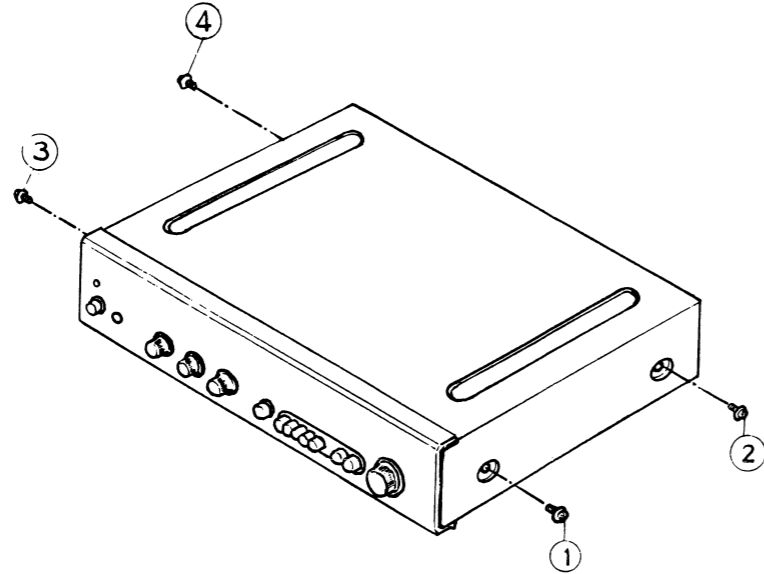


Fig. 1.

2. Pull both sides of TOP COVER outward and then remove in the direction as indicated by pointer ⑤ (See Fig. 2.)

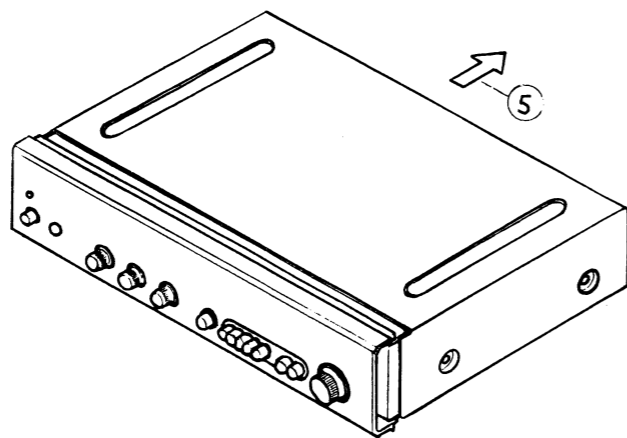
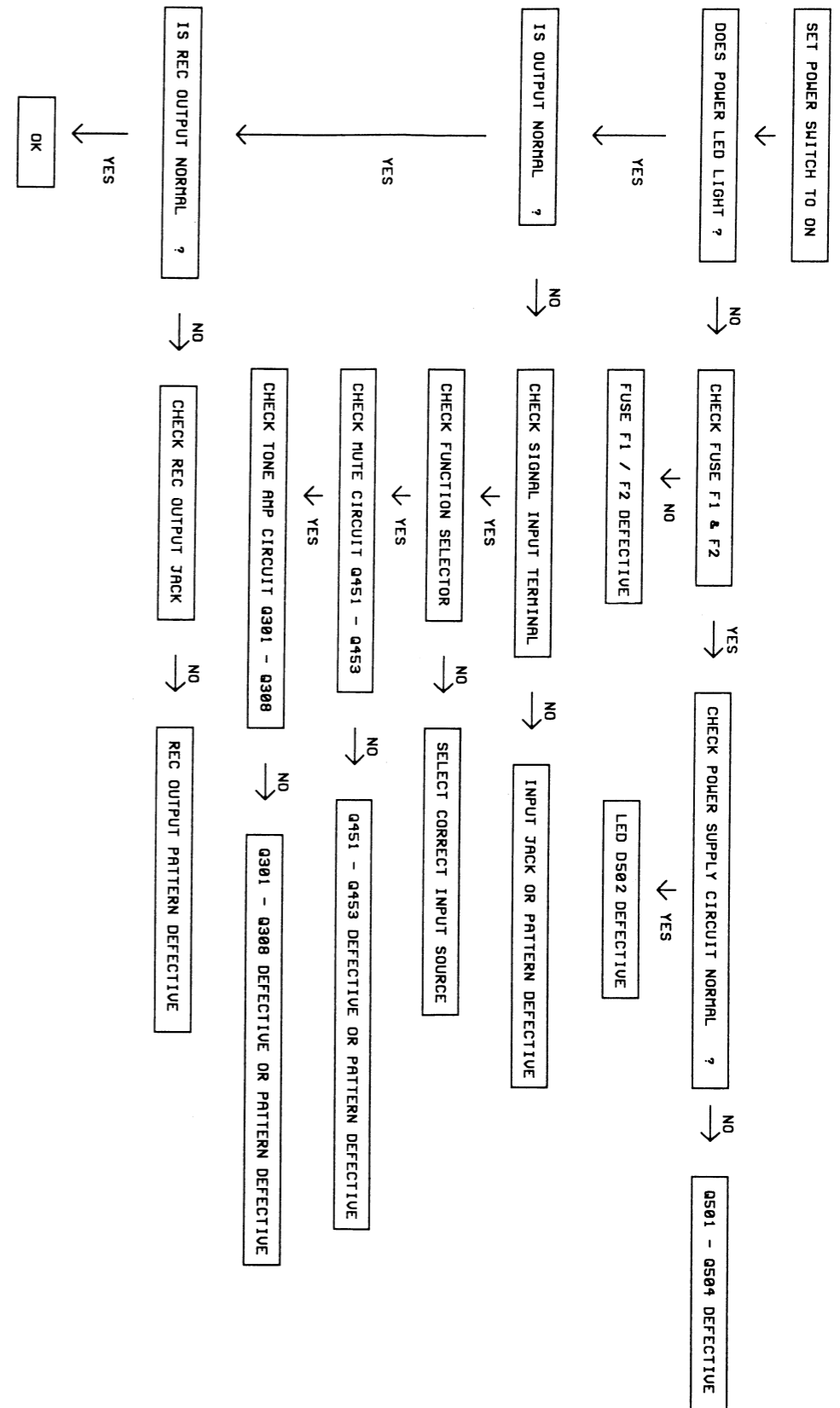
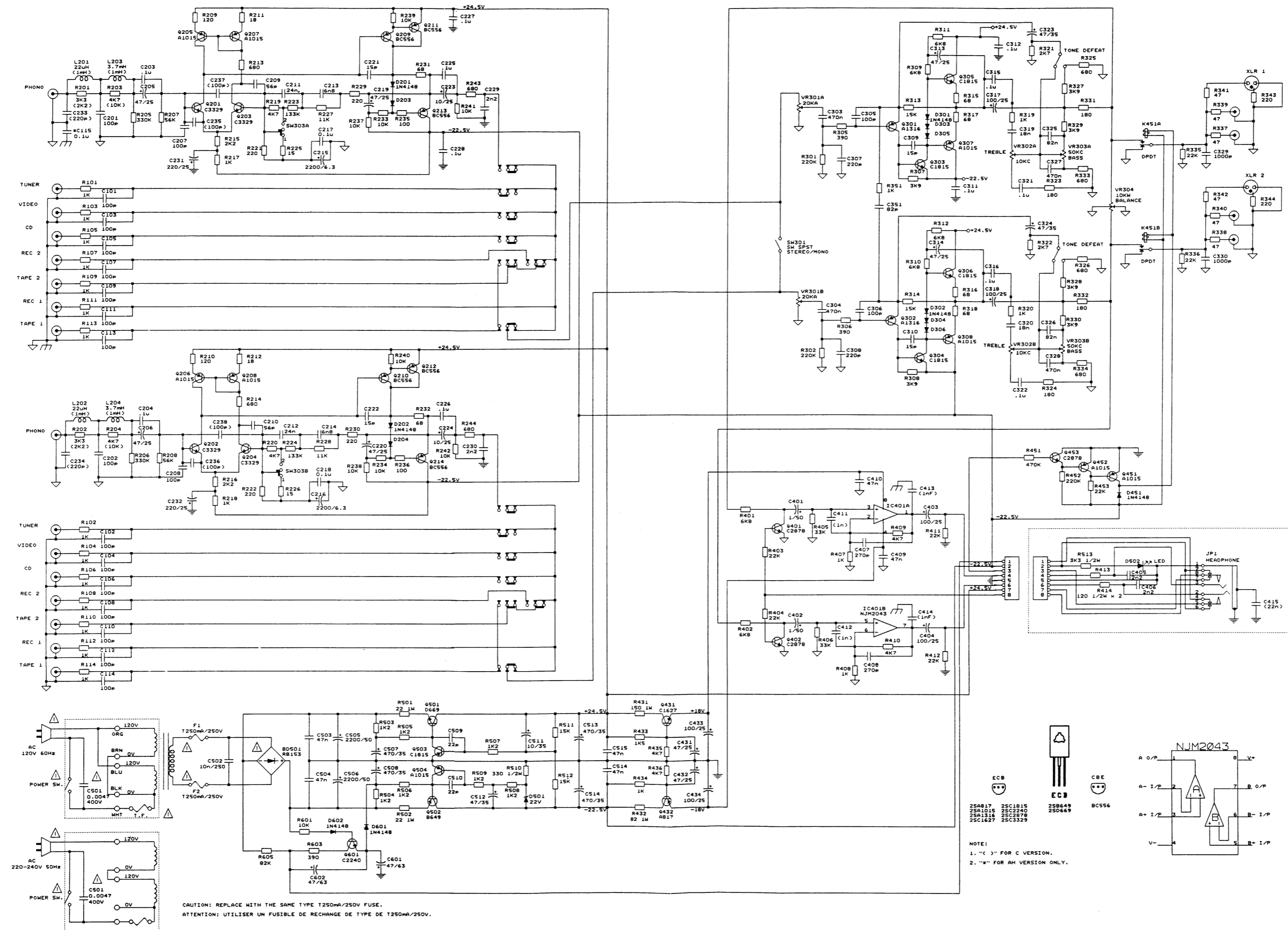


Fig. 2.

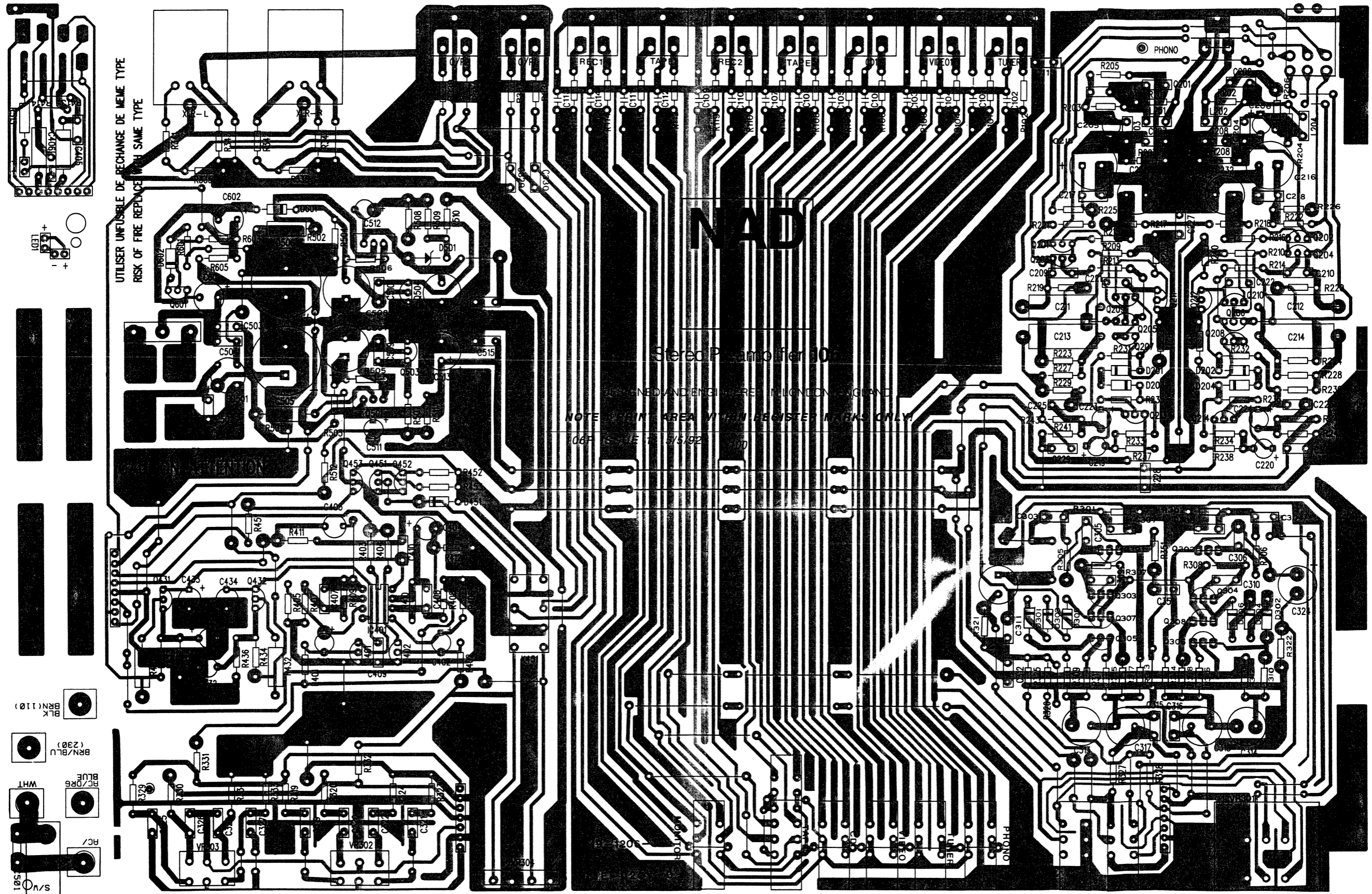
TROUBLE SHOOTING GUIDE



SCHEMATIC DIAGRAM



PCB LAYOUT (PARTS SIDE)



UTILISER UNFUSIBLE DE RECHANGE DE MEME TYPE
RISK OF FIRE REPLACEMENT WITH SAME TYPE

NAD

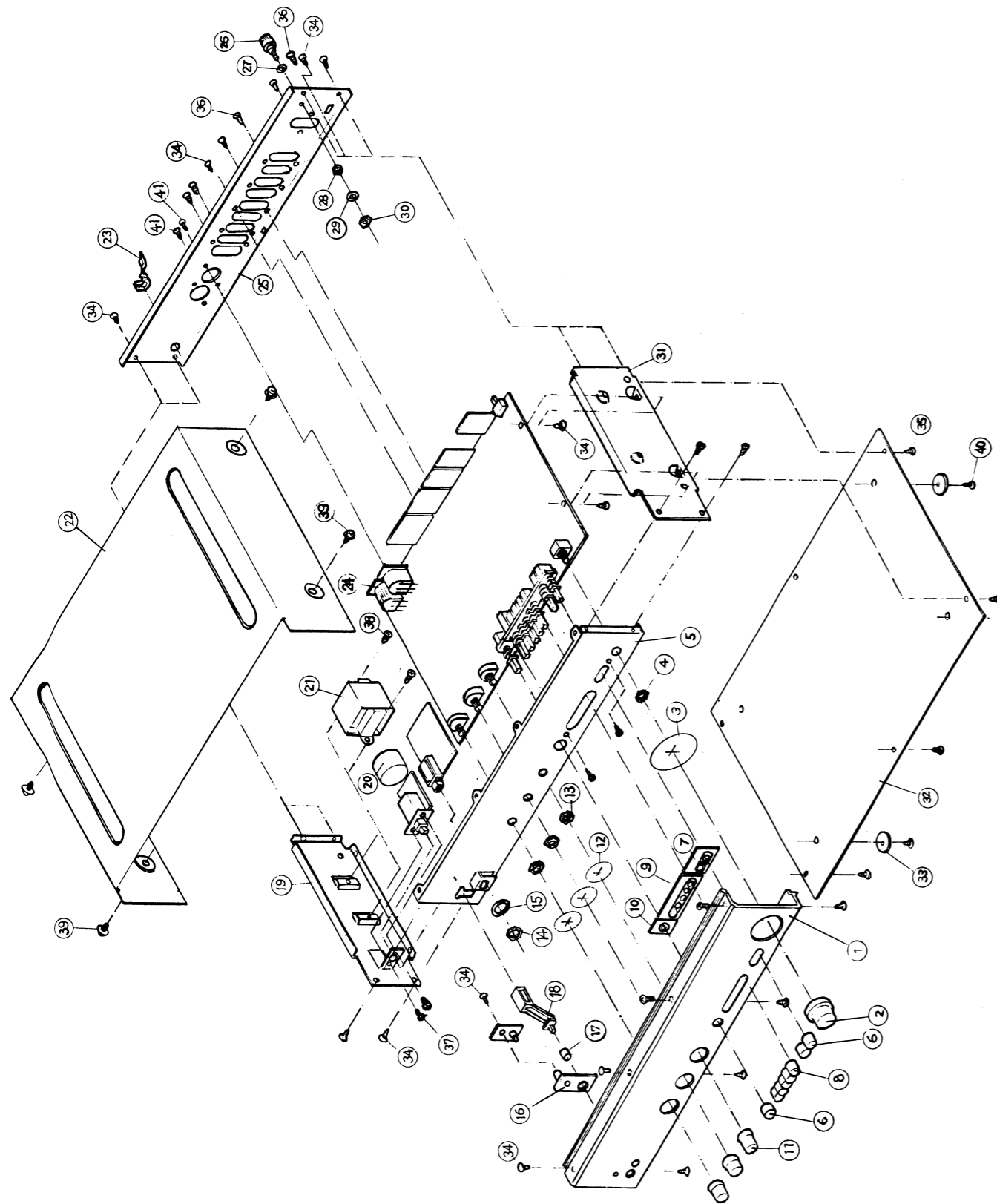
Stereo Preamplifier

NOTE: IN AREA WITH REVERSE MARKS ONLY

- S/V
- RC/RES
- WHT
- BRN/BLU (230)
- BLK (110)

18-1508 01-083 1.20

EXPLODED VIEW



EXPLODED VIEW PARTS LIST

ITEM	PART NO.	DESCRIPTION	Q'TY
1-A	11-8377-2	FRONT PANEL NAD-106	1
1-B	11-8377-1	FRONT PANEL NAD-1000S	1
2	12-3113	KNOB VOLUME	1
3	12-9003	FELT RING 50 x 0.5mm	1
4	29-4162-N	NUT, POT	1
5	11-6116	FRONT CHASSIS	1
6	12-3110	BUTTON BLACK MONO,TONE DEF, MONITOR	3
7	13-8221-3	BEZEL 2 HOLE	1
8	12-3110	BUTTON BLACK	5
9	13-8224	BEZEL 5 HOLE	1
10	13-8221-2	BEZEL 1 HOLE	1
11	12-3129	KNOB BASS,TREBLE,BALANCE	3
12	12-9002	FELT RING 30 x 0.5mm	3
13	29-4141-N	NUT, POTS	3
14	12-2128G-1	NUT, PHONES	1
15	12-2128G-2	WASHER, PHONES	1
16	13-8221-1	BEZEL POWER	1
17	12-3148	BUTTON GREEN	1
18	12-1083	POWER LINK	1
19	11-6117	FRAME L	1
20	12-7103	TUBE/SVGS-UL	1
21	29-2132	TRANSFORMER	1
22	50-1034	TOP COVER	1
23	14-5003	BUSHINGS	1
24	12-1000S	XLR MALE CHASSIS	2
25-A*US/CN	11-8378-7	REAR PANEL US CN/120V NAD-106	1
25-A*WG/EU/SA	11-8378-8	REAR PANEL WG,EU,SA/220-240V NAD-106	1
25-B*US/CN	11-8378-4	REAR PANEL US CN/120V NAD-1000S	1
25-B*WG/EU/SA	11-8378-5	REAR PANEL WG,EU,SA/220-240V NAD-1000S	1
26-1	15-2037	GND BOLT	1
26-2	15-2037-1	GND NUT	1
27	15-2037-3	STOP WASHER	1
28	15-2037-5	GEAR WASHER	1
29	15-2037-4	CONNECT WASHER	1
30	15-2037-2	BOLT NUT M3.5	1
31	11-6118	FRAME R	1
32	11-6119	COVER BOTTOM	1
33	28-1044	A562 RUBBER-FOOT	4
34	S2B03+I06SL	TAPPING SCREW T3x6 BLK	21
35	S2B03+I06SZ	TAPPING SCREW T3x6 COLOR	6
36	S6B03+I08SL	TAPPING SCREW T3x8 BLACK	5
37	S1B03+I06SL	MACHINE SCREW M3x6 BLK	4
38	S1K04+I06SL	TAPPING SCREW T4x6 W/W BLK	2
39	S1K04+I06SL	TAPPING SCREW T4x6 W/W BLK	4
40	S1B04+I08SL	MACHINE SCREW M4x8 BLK	4
41	S1B03+I08SL	MACHINE SCREW M3x8 BLK	4

PARTS LIST

NAD-106 PARTS LIST

LOCATION	REF. NO.	PARTS NO.	DESCRIPTION	Q'TY
SELECT-CKT		(19-1206-1)	NAD-106	1
1000S PCB		(19-1206)	FR4	1
TU, TV, TA2(O), TA1(1)	12-2092G	12-2092G	RCA JACK, 4P/G GOLD PLATE	3
TA1(O), O/P(1,2)	12-2093G	12-2093G	RCA JACK, 6P/G GOLD PLATE	1
RESISTORS				
R101-R114	16-1/4MA102F	16-1/4MA102F	RES. M.F., 1K, 1/4W, +/-1%	14
CAPACITORS				
C115 * AH	17-5DR104M	17-5DR104M	CAP. M.CER. 0.1uF/50V, +/-20%	1
C101-C114	17-5SR101J	17-5SR101J	CAP. E.P.S., 100pF/50V, +/-5%	14
SWITCHES				
tone DEFEAT & MONO	31-1209	31-1209	SW-SEL SPUN21K006-EK	1
PH/TU/VI/CD/TA2	31-1210	31-1210	SW-SEL SPUN51K004-EK	1
SW301	31-1211	31-1211	SW-PUSH SPUN12K801-EK MONITOR	1
PHONO CKT		(19-1206-2)	NAD-106	1
PHONO	12-2123-1	12-2123-1	RCA JACK, 2P/G GOLD PLATE	1
RESISTORS				
R235, R236	16-1/4MA101F	16-1/4MA101F	RES. M.F., 100, 1/4W, +/-1%	2
R217, R218	16-1/4MA102F	16-1/4MA102F	RES. M.F., 1K, 1/4W, +/-1%	2
R233, R234, R237-242	16-1/4MA103F	16-1/4MA103F	RES. M.F., 10K, 1/4W, +/-1%	8
R227, R228	16-1/4MA113F	16-1/4MA113F	RES. M.F., 11K, 1/4W, +/-1%	2
R209, R210	16-1/4MA121F	16-1/4MA121F	RES. M.F., 120, 1/4W, +/-1%	2
R223, R224	16-1/4MA1333F	16-1/4MA1333F	RES. M.F., 133K, 1/4W, +/-1%	2
R225, R226	16-1/4MA150F	16-1/4MA150F	RES. M.F., 15, 1/4W, +/-1%	2
R212, R211	16-1/4MA180F	16-1/4MA180F	RES. M.F., 18, 1/4W, +/-1%	2
R221, R222, R229, R230	16-1/4MA221F	16-1/4MA221F	RES. M.F., 220, 1/4W, +/-1%	4
R215, R216	16-1/4MA222F	16-1/4MA222F	RES. M.F., 2K2, 1/4W, +/-1%	2
R201, R202 * AH	16-1/4MA332F	16-1/4MA332F	RES. M.F., 3K3, 1/4W, +/-1%	2
R201, R202 * C	16-1/4MA222F	16-1/4MA222F	RES. M.F., 2K2, 1/4W, +/-1%	2
R205, R206	16-1/4MA334F	16-1/4MA334F	RES. M.F., 330K, 1/4W, +/-1%	2
R203, R204 * AH	16-1/4MA472F	16-1/4MA472F	RES. M.F., 4K7, 1/4W, +/-1%	2
R203, R204 * C	16-1/4MA103F	16-1/4MA103F	RES. M.F., 10K, 1/4W, +/-1%	2
R219, R220	16-1/4MA472F	16-1/4MA472F	RES. M.F., 4K7, 1/4W, +/-1%	2
R207, R208	16-1/4MA563F	16-1/4MA563F	RES. M.F., 56K, 1/4W, +/-1%	2
R231, R232	16-1/4MA680F	16-1/4MA680F	RES. M.F., 68, 1/4W, +/-1%	2
R213, R214, R243, R244	16-1/4MA681F	16-1/4MA681F	RES. M.F., 680, 1/4W, +/-1%	4
CAPACITORS				
C215, C216	17-0.63ER228M	17-0.63ER228M	CAP. ELE., 220uF/6V3, +/-20%	2
C223, C224	17-2.5ER106M	17-2.5ER106M	CAP. ELE., 10uF/25V, +/-20%	2
C231, C232	17-2.5ER227M	17-2.5ER227M	CAP. ELE., 220uF/25V, +/-20%	2
C205, C206, C219, C220	17-2.5ER476M	17-2.5ER476M	CAP. ELE., 47uF/25V, +/-20%	4
C221, C222	17-5DR150J	17-5DR150J	CAP. M.CER., 15pF/50V, +/-5%	2
C209, C210	17-5DR560J	17-5DR560J	CAP. M.CER., 56pF/50V, +/-5%	2
C235-C238 * C	17-5DR101J	17-5DR101J	CAP. M.CER., 100pF/50V, +/-5%	4
C233, C234 * C	17-5DR221J	17-5DR221J	CAP. M.CER., 220pF/50V, +/-5%	4
C203, C204, C217, C218, C225-C228	17-5FR104J	17-5FR104J	CAP. M.P.E. 0.1uF/50V, +/-5%	8
C229, C230	17-5PR222J	17-5PR222J	CAP. P.P., 2n2F/50V, +/-5%	2
C211, C212	17-5SR243J	17-5SR243J	CAP. E.P.S., 24nF/50V, +/-1%	2
C213, C214	17-5SR682J	17-5SR682J	CAP. E.P.S., 6n8F/50V, +/-1%	2
C201, C202, C207, C208	17-5SR101J	17-5SR101J	CAP. E.P.S., 100pF/50V, +/-5%	4
COILS				
L201, L202 * AH	29-1089	29-1089	COIL Troid coil, 22uH	2
L203, L204 * AH	29-1091	29-1091	COIL Troid coil, 3.7mH	2
L201-L204 * C	29-1109	29-1109	COIL Troid coil, 1mH	4
DIODES				
D201-D204	1N4148	30-1N4148	DIODE DIODE 1N4148	4
TRANSISTORS				
Q205-Q208	2SA1015GR	30-2SA1015	TR. 2SA1015GR, Toshiba	4
Q201-Q204	2SC3329BL	30-2SC3329	TR. 2SC3329BL, Toshiba	4
Q209-Q214	BC556	30-BC556	TR. BC556, Philips	6
SWITCH				
SW303	31-1000S	31-1000S	TOGGLE SW 8021 MM/MC	1
PREAMP CKT		(19-1206-3)	NAD-106	1
RESISTORS				
R319, R320, R351	16-1/4MA102F	16-1/4MA102F	RES. M.F., 1K, 1/4W, +/-1%	3
R313, R314	16-1/4MA153F	16-1/4MA153F	RES. M.F., 15K, 1/4W, +/-1%	2
R323, R324, R331, R332	16-1/4MA181F	16-1/4MA181F	RES. M.F., 180, 1/4W, +/-1%	4
R343, R344	16-1/4MA221F	16-1/4MA221F	RES. M.F., 220, 1/4W, +/-1%	2
R301, R302	16-1/4MA224F	16-1/4MA224F	RES. M.F., 220K, 1/4W, +/-1%	2
R321, R322	16-1/4MA272F	16-1/4MA272F	RES. M.F., 2K7, 1/4W, +/-1%	2
R305, R306	16-1/4MA391F	16-1/4MA391F	RES. M.F., 390, 1/4W, +/-1%	2
R307, R308, R327-R330	16-1/4MA392F	16-1/4MA392F	RES. M.F., 3K9, 1/4W, +/-1%	6
R315-R318	16-1/4MA680F	16-1/4MA680F	RES. M.F., 68, 1/4W, +/-1%	4

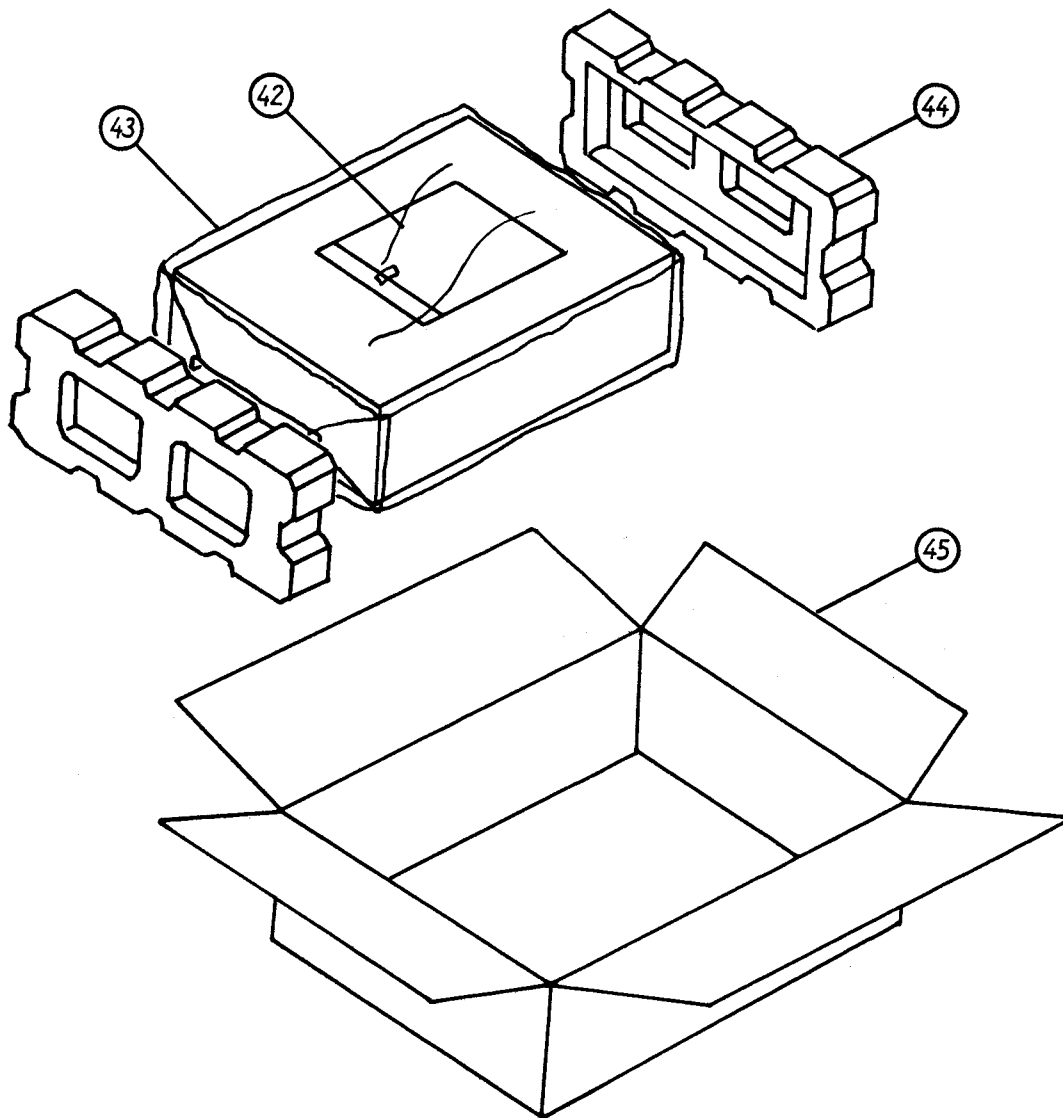
NAD-106 PARTS LIST

LOCATION	REF. NO.	PARTS NO.	DESCRIPTION	Q'TY
R325, R326, R333, R334	16-1/4MA681F	16-1/4MA681F	RES. M.F., 680, 1/4W, +/-1%	4
R335, R336	16-1/4MA223F	16-1/4MA223F	RES. M.F., 22K, 1/4W, +/-1%	2
R309-R312	16-1/4MA682F	16-1/4MA682F	RES. M.F., 6K8, 1/4W, +/-1%	4
R337-R342	16-1/4MA470F	16-1/4MA470F	RES. M.F., 47, 1/4W, +/-1%	6
CAPACITORS				
C317, C318	17-2.5ER107ML	17-2.5ER107ML	CAP. ELE., 100uF/25V, +/-20%, L.L.	2
C313, C314	17-2.5ER476ML	17-2.5ER476ML	CAP. ELE., 47uF/25V, +/-20%, L.L.	2
C323, C324	17-3.5ER476ML	17-3.5ER476ML	CAP. ELE., 47uF/35V, +/-20%, L.L.	2
C309, C310	17-5DR150J	17-5DR150J	CAP. M.CER., 15pF/50V, +/-5%	2
C311, C312, C315, C316, C321, C322	17-5FR104J	17-5FR104J	CAP. M.PE., 0.1uF/50V, +/-5%	6
C319, C320	17-5FR183J	17-5FR183J	CAP. M.PE., 18nF/50V, +/-5%	2
C303, C304, C327, C328	17-5FR474J	17-5FR474J	CAP. M.PE., 0.47uF/50V, +/-5%	4
C325, C326	17-5FR823J	17-5FR823J	CAP. M.PE., 82nF/50V, +/-5%	2
C329, C330	17-5SR102J	17-5SR102J	CAP. E.P.S., 1nF/50V, +/-5%	2
C305, C306	17-5SR101J	17-5SR101J	CAP. E.P.S., 100pF/50V, +/-5%	2
C307, C308	17-5SR221J	17-5SR221J	CAP. E.P.S., 220pF/50V, +/-5%	2
C351	17-5SR820J	17-5SR820J	CAP. E.P.S., 82pF/50V, +/-5%	1
VAR.				
VR302	29-4136	29-4136	VAR. TREBLE RK163121A106-10KC*2-EK	1
VR303	29-4140	29-4140	VAR. BASS RK163121A155-50KC*2-EK	1
VR304	29-4141	29-4141	VAR. BAL RK163111E291-10KW-EK	1
VR301	29-4162	29-4162	VAR. VOL RK27112A0-20Kax2	1
DIODES				
D301-D306	1N4148	30-1N4148	DIODE DIODE 1N4148	6
TRANSISTORS				
Q307, Q308	2SA1015GR	30-2SA1015	TRAN. 2SA1015GR, Toshiba	2
Q301, Q302	2SA1316GR	30-2SA1316	TRAN. 2SA1316GR, Toshiba	2
Q303-Q306	2SC1815GR	30-2SC1815	TRAN. 2SC1815GR, Toshiba	4
POWER CKT (19-1206-5) NAD-106 1				
RESISTORS				
R501, R502	16-1XK220J	16-1XK220J	RES. M.X.22, 1W, +/-5%, KINK	2
R513	16-1/2CA332J	16-1/2CA332J	RES. C.F., 3K3, 1/2W, +/-5%, TAPE	1
R601	16-1/4MA103F	16-1/4MA103F	RES. M.F., 10K, 1/4W, +/-1%	1
R503-R509	16-1/4MA122F	16-1/4MA122F	RES. M.F., 1K2, 1/4W, +/-1%	7
R511, R512	16-1/4MA153F	16-1/4MA153F	RES. M.F., 15K, 1/4W, +/-1%	2
R510	16-1/4MA331F	16-1/4MA331F	RES. M.F., 330, 1/4W, +/-1%	1
R603	16-1/4MA391F	16-1/4MA391F	RES. M.F., 390, 1/4W, +/-1%	1
R605	16-1/4MA823F	16-1/4MA823F	RES. M.F., 82K, 1/4W, +/-1%	1
CAPACITORS				
C502	17-25FR103K	17-25FR103K	CAP. M.PE., 10nF/250V, +/-10%	1
C511	17-3.5ER106M	17-3.5ER106M	CAP. ELE., 10uF/35V, +/-20%	1
C507, C508, C513, C514	17-3.5ER477M	17-3.5ER477M	CAP. ELE., 470uF/35V, +/-20%	4
C512	17-3.5ER476M	17-3.5ER476M	CAP. ELE., 47uF/35V, +/-20%	1
C501	17-40CR472M	17-40CR472M	CAP. CER., 4n7F/400V, +/-20%	1
C509, C510	17-5DR220J	17-5DR220J	CAP. M.CER., 22pF/50V, +/-5%	2
C601, C602	17-5ER476M	17-5ER476M	CAP. ELE., 47uF/63V, +/-20%	2
C505, C506	17-5ER228M	17-5ER228M	CAP. ELE., 220uF/50V, +/-20%	2
C503, C504, C515, C516	17-5FR473J	17-5FR473J	CAP. M.PE., 47nF/50V, +/-5%	4
DIODES				
D501	30-HZ22-2	30-HZ22-2	ZENER DIODE ZD 22V, 1/2W, +/-5%	1
D601, D602	1N4148	30-1N4148	DIODE DIODE 1N4148	2
BD501	RB153	30-RB153	BRIDGE DIODE RB153	1
TRANSISTORS				
Q502	2SB649A or C	30-2SB649A	TRAN. 2SB649A or C, Hitachi	1
Q501	2SD669A or C	30-2SD669A	TRAN. 2SD669A or C, Hitachi	1
Q504	2SA1015GR	30-2SA1015	TRAN. 2SA1015GR, Toshiba	1
Q503	2SC1815GR	30-2SC1815	TRAN. 2SC1815GR, Toshiba	1
Q601	2SC2240GR	30-2SC2240	TRAN. 2SC2240GR, Toshiba	1
FUSES				
F01, F02	32S2014	32S2014	CLAMPER FUSE CLAMPER, CPF-011	4
F1, F2 *C	32S1250250TS	32S1250250TS	218.250 250mA/250V, 5x20mmT, SEMKO	2
F1, F2 *B1	32S1250250TS	32S1250250TS	218.250 250mA/250V, 5x20mmT, SEMKO	2
F1, F2 *AH	32S1250250TU	32S1250250TU	SGCO.25 250mA/250V, 5x20mmT, SGC, UL	2
T501	29-2132	29-2132	TRANSFORMER Universal/LX-0136	1
S501	31-1213	31-1213	SW-POWER SDDL B1007U-EK TV-3	1
FOR LED				
D502	30-SE2021	(19-1206-6) 30-SE2021	NAD-106 L.E.D.IODE LED/SE2021, GRN	1
HEADPHONE CKT				
J401	12-2128G	(19-1206-4) 12-2128G	NAD-106 HEADPHONE JACK CPJ-061-9G with clipper	1

NAD-106 PARTS LIST

LOCATION	REF. NO.	PARTS NO.	DESCRIPTION	Q'TY
RESISTORS				
R431	16-1MK151J	16-1MK151J	RES. M.F., 150, 1W, +/-5%, KINK	1
R432	16-1MK820J	16-1MK820J	RES. M.F., 82, 1W, +/-5%, KINK	1
R413, R414	16-1/2CA121J	16-1/2CA121J	RES. C.F., 120, 1/2W, +/-5%	2
R407, R408, R434	16-1/4MA102F	16-1/4MA102F	RES. M.F., 1K, 1/4W, +/-1%	3
R433	16-1/4MA152F	16-1/4MA152F	RES. M.F., 1K5, 1/4W, +/-1%	1
R403, R404, R411, R412, R453	16-1/4MA223F	16-1/4MA223F	RES. M.F., 22K, 1/4W, +/-1%	5
R452	16-1/4MA224F	16-1/4MA224F	RES. M.F., 220K, 1/4W, +/-1%	1
R405, R406	16-1/4MA333F	16-1/4MA333F	RES. M.F., 33K, 1/4W, +/-1%	2
R409, R410, R435, R436	16-1/4MA472F	16-1/4MA472F	RES. M.F., 4K7, 1/4W, +/-1%	4
R451	16-1/4MA474F	16-1/4MA474F	RES. M.F., 470K, 1/4W, +/-1%	1
R401, R402	16-1/4MA682F	16-1/4MA682F	RES. M.F., 6K8, 1/4W, +/-1%	2
CAPACITORS				
C403, C404, C433, C434	17-2.5ER107M	17-2.5ER107M	CAP. ELE., 100uF/25V, +/-20%	4
C431, C432	17-2.5ER476M	17-2.5ER476M	CAP. ELE., 47uF/25V, +/-20%	2
C407, C408	17-5DR271J	17-5DR271J	CAP. M.CER., 270pF/50V, +/-5%	2
C401, C402	17-5ER105M	17-5ER105M	CAP. ELE., 1uF/50V, +/-20%	2
C405, C406	17-5FR222J	17-5FR222J	CAP. M.PE., 2n2F/50V, +/-5%	2
C409, C410	17-5FR473J	17-5FR473J	CAP. M.PE., 47nF/50V, +/-5%	2
C411-C414 * C	17-5FR102J	17-5FR102J	CAP. M.PE., 1nF/50V, +/-5%	4
RELAY				
K451	29-1000S	29-1000S	RELAY DS2Y-S-DC-24V	1
DIODE				
D451	1N4148	30-1N4148	DIODE 1N4148	1
TRANSISTORS				
Q451, Q452	2SA1015GR	30-2SA1015	TRAN. 2SA1015GR, Toshiba	2
Q432	2SA817Y	30-2SA817	TRAN. 2SA817Y, Toshiba	1
Q431	2SC1627Y	30-2SC1627	TRAN. 2SC1627Y, Toshiba	1
Q401, Q402, Q453	2SC2878A	30-2SC2878	TRAN. 2SC2878A, Toshiba	3
IC.				
IC401	NJM2043(D)	30-NJM2043	IC. NJM2043(D), JRC	1

PACKING DIAGRAM



ITEM	PARTS NO.	DESCRIPTION	Q'TY
42	21-4054	OWNER'S MANUAL	1
43	26-0716	PE - BAG	1
44	34-1059	POLYLON	2
45	CT-5193-2	GIFT - BOX	1